



SEZ industrial sockets, plugs and connectors have been designed to connect electrical devices to low voltage electric energy in civil engineering, electric assembly sector, engineering industry, etc. Sockets and plugs are available in the following ranges:

- nominal current: 16 A, 32 A, 63 A, 125 A
- nominal voltage: 110V, 230 V, 400 V, 500 V
- nominal frequency: 50 Hz and 60 Hz
- degree of protection: IP 44, IP 54, IP 67
- number of poles: 3P (2P + PE), 4P (3P + PE), 5P (3P + N + PE)
- operating temperature: - 25 °C to + 55 °C

Our sockets, plugs and connectors are manufactured under the European standards EN 60309 – 1, 2 which comply with an international recommendation IEC 60309 – 1, 2.

Identification colour
 Nominal current
 Nominal voltage
 Frequency
 Degree of protection
 No. of pole
 Earth hour position
 Connection system
 Flexible conductors
 Rigid conductors
 Surface treatment contacts

red
 32 A
 400 V
 50/60 Hz
 IP44
 3P + N + PE
 6 h
 screws
 2,5 - 6 mm²
 2,5 - 10 mm²
 passivated brass

Operating temperature
 Glow wire test (GWT)

-25 °C to +55 °C
 850 °C (active parts)
 650 °C (passive parts)

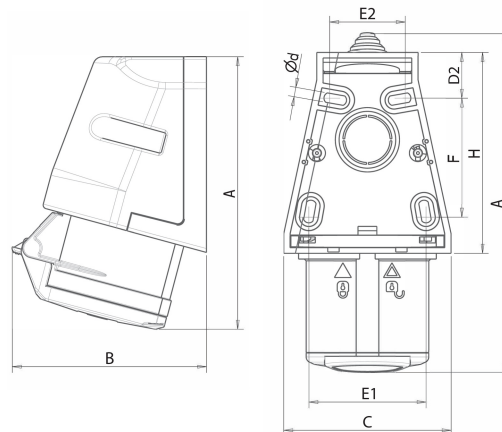
Thermo-pressure with ball

125 °C (active parts)
 80 °C (passive parts)

Insulation resistance

> 10 MΩ

Dimensional drawing



			(mm)									
Amp	Poles	Ord. No.	A	B	C	Ø d	D2	E1	E2	F	H	R
32	5	101367	181	122	89	5	24	62	35	60	108	8,0 - 22

R - sealing range

Technical symbols



screws



125 °C (active parts)
 80 °C (passive parts)



-25 °C to +55 °C

GWT

850 °C (active parts)
 650 °C (passive parts)

IP

IP44

Standards/Approvals

CE IEC 60309-1, - 2
 STN EN 60309-1, - 2

SEZ DK a.s., M. R. Štefánika 1831/46
026 19 Dolný Kubín, Slovensko
 Tel.: +421 43 5809 226; +421 908 948 580

e-mail: sales@sez.sk
www.sez.sk
 Last update 2023/05

Data, measures, designs and pictures are shown as informative purposes only and could be changed without prior notice.